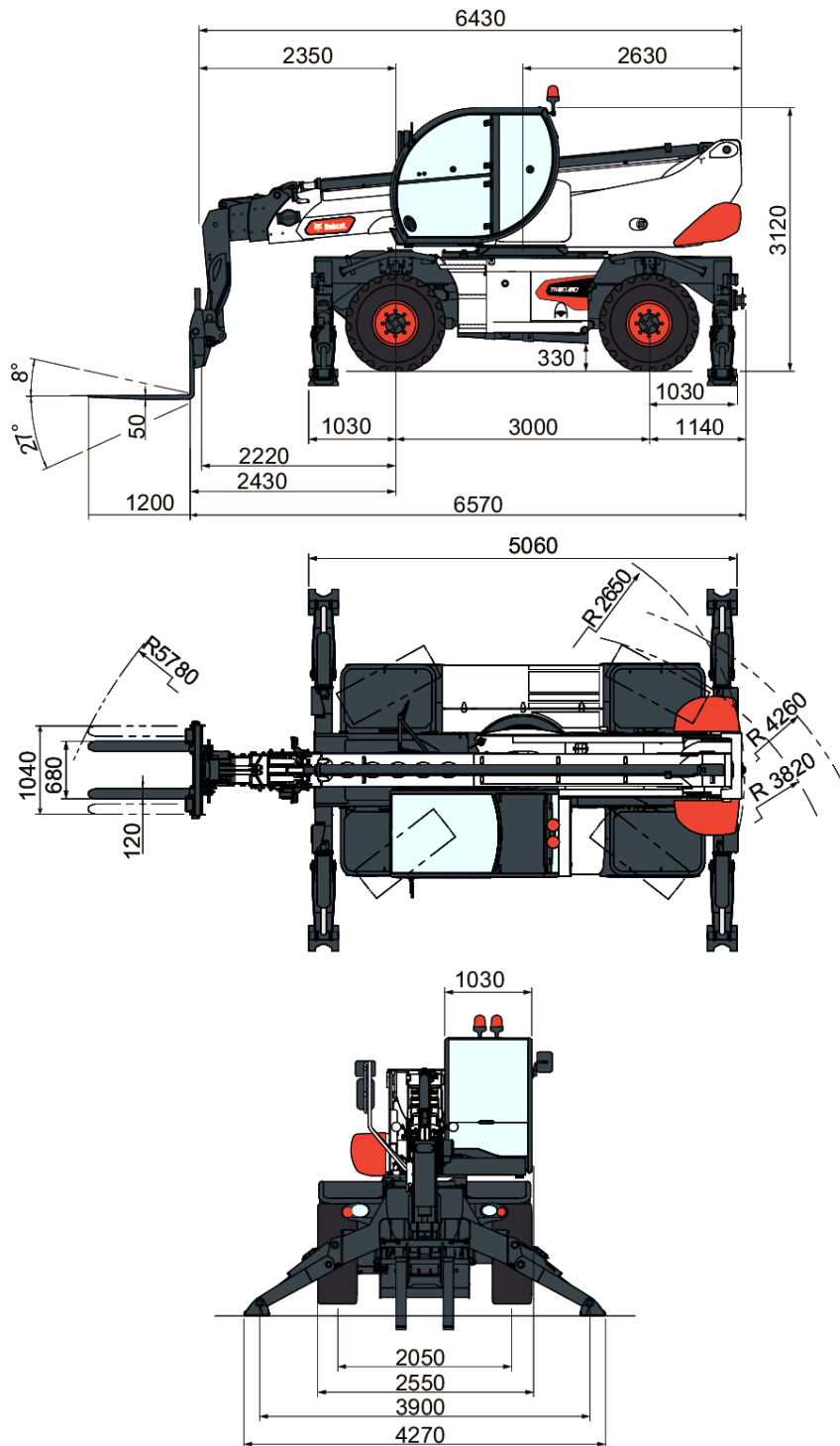


TR50-210 V R2-Series

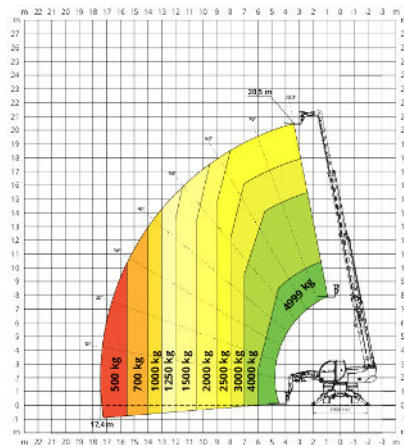
Telescopic
Specifications

Dimensions

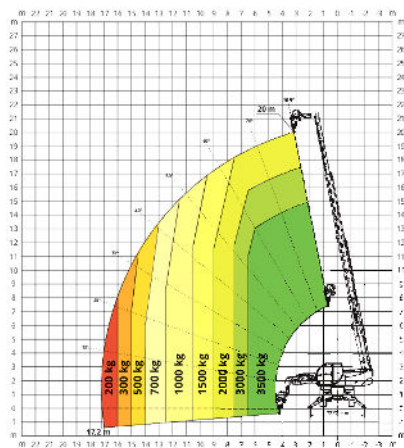


Load Charts

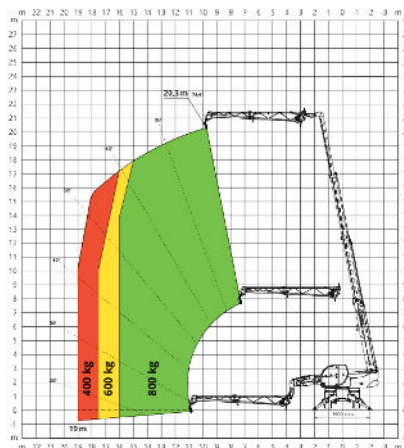
360° LOAD CHART ON FULLY EXTENDED STABILIZERS



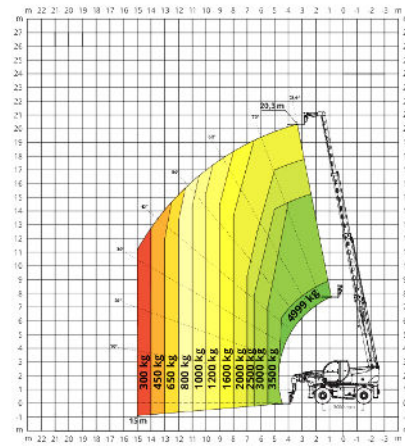
WINCH 3,500 kg



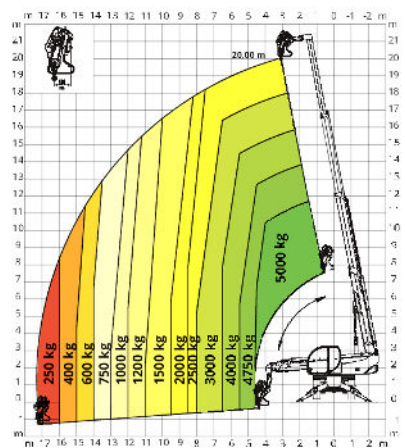
JIB WITH WINCH 800 kg



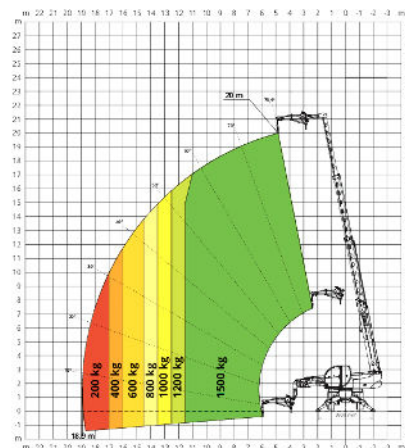
FRONTAL LOAD CHART ON TYRES

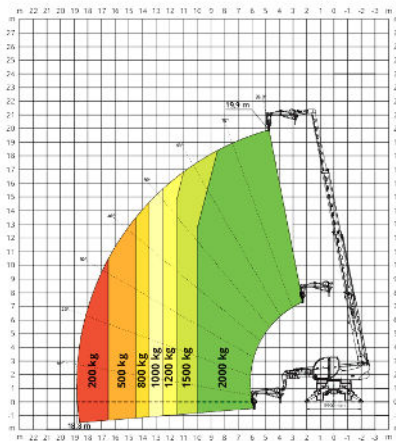
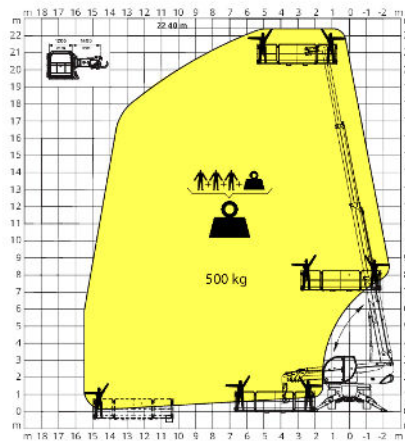
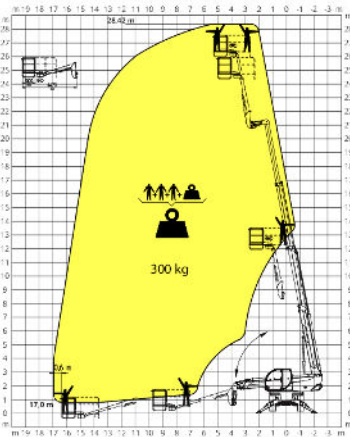
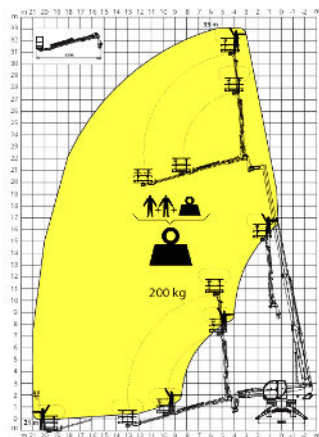
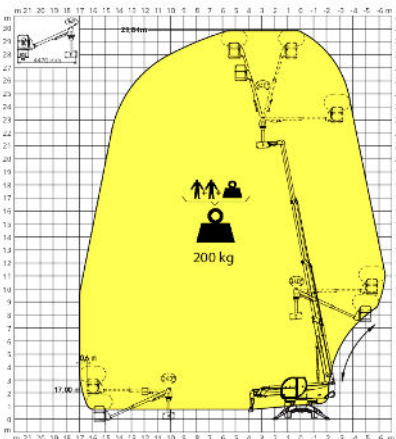
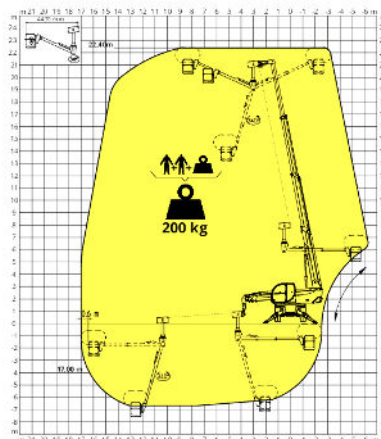


WINCH 5,000 kg



JIB WITH WINCH 1,500 kg



Load Charts
JIB WITH WINCH 2,000 kg

ROTATING EXTENDABLE BASKET 500 kg

TELESCOPIC PIVOTING BASKET WITH 180° ROTATION

TELESCOPIC BASKET 200 kg - 10 m

TELESCOPIC PIVOTING OVER UNDER BASKET WITH 340° ROTATION

TELESCOPIC PIVOTING OVER UNDER BASKET WITH 340° ROTATION


Performance

Rated capacity	4,999 kg @ 500 mm Load Center
Max. lifting height (stabilisers fully extended)	21 m
Capacity at max. height (stabilisers fully extended)	2500 kg
Max. reach (stabilisers fully extended)	17 m
Capacity at max. reach (stabilisers fully extended)	500 kg
Frame levelling	+/- 8°
Max. speed	40.0 km/h
Turret Rotation	360° (Continuous)

Stabilisers

Type	Pivoting stabilisers
Stabilization system	Ground pressure detection. Automatic levelling.
Stabilization area (stabilisers fully extended)	5.06 x 4.27 m

Weights

Weight (unladen)	15900 kg
Front axle weight unladen (boom retracted and lowered)	8800 kg
Rear axle weight unladen (boom retracted and lowered)	7100 kg

Engine

Make / Model	DEUTZ TCD 3.6 L4
Compliance	stage V
Fuel	Diesel
Cooling	liquid - Intercooler
Rated power (ISO 14396)	100 kW (136 hp) @ 2,200 rpm
Maximum torque	500 Nm @ 1,600 rpm
Number of cylinders	4.0
Displacement	3.60 L

Hydraulic System

Pump type	Load Sensing pump
Pump capacity	105.00 L/min
Output at the auxiliary line	65.00 L/min
Relief valve pressure setting	350.00 bar
Control valve (boom and turret)	Electro-proportional with flow sharing

Drive System

Transmission	Hydrostatic with electronic regulation / 4 wheel drive
Main drive	Electronically controlled variable displacement pump. Variable displacement motor. 2-speed gear box

Traction

Standard tyres	445/65 R22,5
Max. speed at Low range (turtle)	11.0 km/h
Max. speed at High range (rabbit)	40.0 km/h
Towing force	72.00 kN
Gradeability	45.00 %

Axles and brakes

Axle type	Oil-immersed axles with planetary gears
Rear axle	Oscillating and steering with hydraulic locking
Front axle	Oscillating and steering with levelling +/-8°
Service brake	Hydraulically operated wet multi-disk brakes on each axle
Parking brake	Hydraulic with negative action
Emergency brake	Passive brake with automatic actuation

Steering

Steering modes	3 steering modes with semi-automatic wheel realignment. 2 wheel steering / 4 wheel steering / Crab-steer
External turning radius (with forks)	4 m

Fluid Capacities

Fuel tank	175.00 L
Adblue	10.00 L
Hydraulic reservoir	165.00 L
Engine oil	9.00 L
Cooling system	20.00 L

Environmental

Operator noise level (LpA) (En 12053)	72 dB(A)
Level of acoustic power (LWA)	106 dB(A)
Whole body vibration (ISO 2631-1):	0.49 ms ⁻²
Hand-arm vibration (ISO 5349-1)	0.57 ms ⁻²

Standards

Standard compliance	EN 1459-2: slewing variable-reach trucks. EN 13000: hydraulic cranes. EN 280: mobile elevating work platforms. FOPS/ROPS cabin. EU 2016/1628: engine emissions
---------------------	--

Standard Features

Standard Features

- Frame and Telescopic boom:
 - Quick fit carriage with manual attachment lock
 - Pallet Fork Frame Floating, 1,3m wide, Forks included
 - Auxiliary hydraulic line on boom head and return line to hydraulic tank
 - Automatic RFID tools recognition system
 - Man platform ready and electric emergency pump
 - Winch ready
 - Heavy duty axles with epicyclic reduction gears, oil immerse brakes
 - Rear axles oscillating and steering with hydraulic locking
 - Towing hook
 - Frame leveling +/-8°
 - Complete road lights (front & rear)
 - Right and left side mirrors
 - *****

- Cabin and main functions:
 - Cabin with full glass window door
 - Full tinted glass
 - Pressurized Cab, 100% air filtration
 - ROPS/FOPS operator cabin
 - Automatic parking brake
 - Roof window wiper
 - Front wipers with washer
 - Rotating beacon
 - Adjustable steering column
 - Heating, demisting and ventilation
 - Air conditioning (HVAC)
 - Back-up alarm
 - Bluetooth radio, microphone & loudspeakers
 - Mechanical Suspension Seat
 - 7" touch screen
 - Jog shuttle
 - Two multifunctional joysticks with proportional controls and forward/reverse drive
 - Load moment control system with dynamic load chart on touchscreen display
 - Auto idle
 - Autoleveling system on stabilisers
 - 3 steering modes (2WS /4WS / CRAB) with semi-automatic wheel realignment
 - Rear axle lock indicator
 - Front and rear wheels alignment indicator
 - 24V Electric socket
 - CAN Bus technology with auto-diagnostic system
 - *****
- Drive/Engine/Hydraulic:
 - Load Sensing piston pump 105 l/min at 350 bar
 - Electro proportional main valve with flow sharing
 - Hydrostatic transmission with electronically controlled variable displacement pump Variable displacement motor 2-speed gear box (turtle/rabbit)
 - 40 km/h max drive speed
 - Standard tyres - set of 4 x 445/65 R22,5"
 - Turbo-charged engine - Deutz TCD 3.6 L4 Stage V - 134hp / 500Nm
 - Battery Disconnection (inside engine compartment)
 - *****
 - 2 year warranty or 2000 hours (refer to the Bobcat standard warranty policy for terms and conditions)
 - Telemetry system