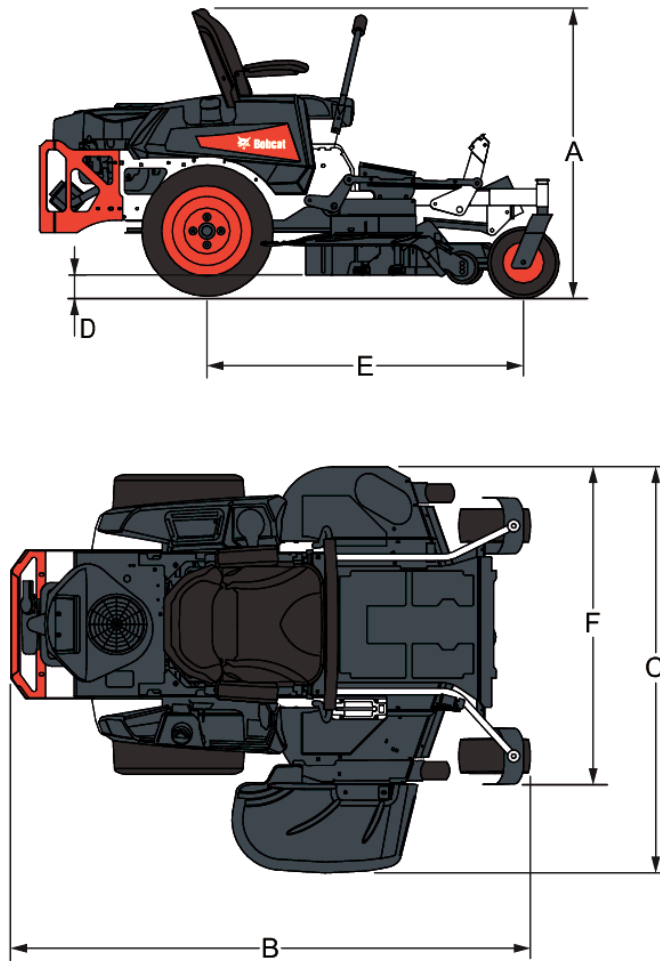


ZT2000 – 48”
Dimensions


(A) Height	814.0 mm
(B) Overall Length	1930.0 mm
(C) Overall Width (Chute Up)	1241.0 mm
(C) Overall Width (Chute Down)	1591.0 mm
(D) Cutting Height	38 - 124 mm
(E) Wheelbase	1220.0 mm
(F) Cutting Width	1220.0 mm
(G) Blade Length	413.0 mm

ZT2000 – 48”**Engine**

Model	Kaw FR651V
Engine power	16.0 kW
Displacement	726 cm ³
Fuel Capacity	14.00 L
Air Filter	Single Stage

Electrical

Charging System	15 A
Clutch	142 N

Deck

Mower Deck	TufDeck Cutting System
Width	1219.0 mm
Adjustable Anti-Scalp Rollers	3.0
Cutting Height	38.0-114.0 mm
Blade Tip Speed	74.7 fpm @ 3500 Engine rpm
Discharge Chute	Flexible Molded Polymer

Frame

Front and Rear	1.5- x 2.5-inch Steel Tubing; Welded Steel Reinforced Frame
Machine Length	1930.0 mm
Machine Weight	350 kg

Transmission

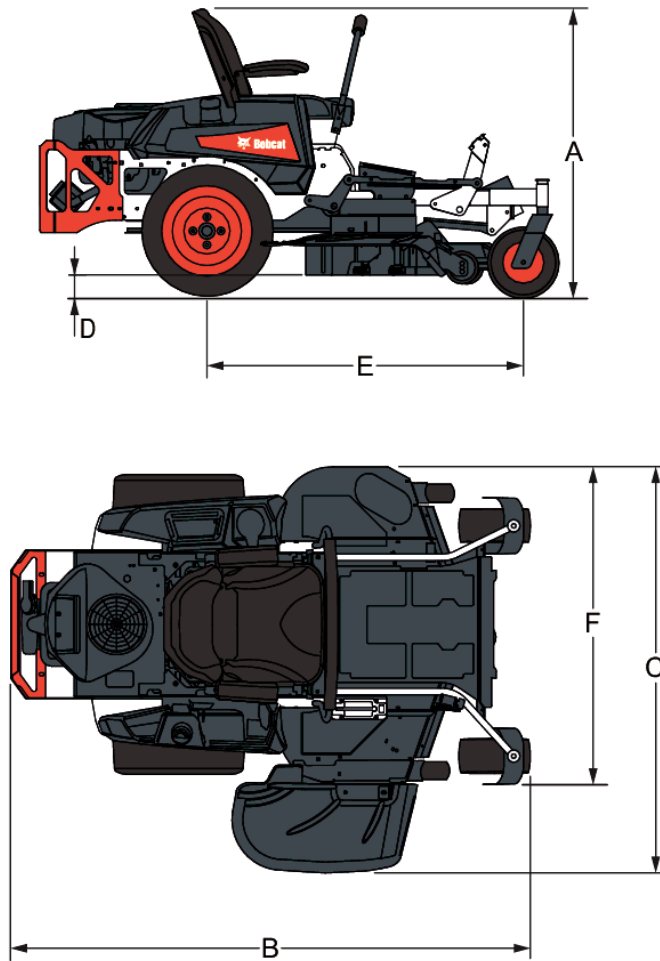
Type	HG ZT-2800 Hydrostatic Transaxles
Pump Displacement	10 cm ³
Oil Capacity	3.80 L
Forward Speed	11.0 km/h
Reverse Speed	4.8 km/h

Wheels

Drive Wheel Size	20 x 10-10
Front Caster Wheel Size	11 x 6-5
Caster Arm Attachment	Welded to Frame

Seat

Description	High Back, Spring Suspension Seat
Fore-Aft Adjustment	Seat Slide Lever

ZT2000 – 52”
Dimensions


(A) Height	814.0 mm
(B) Overall Length	1930.0 mm
(C) Overall Width (Chute Up)	1381.0 mm
(C) Overall Width (Chute Down)	1731.0 mm
(D) Cutting Height	38 - 124 mm
(E) Wheelbase	1220.0 mm
(F) Cutting Width	1321.0 mm
(G) Blade Length	457.0 mm

ZT2000 – 52”**Engine**

Model	Kaw FR651V
Engine power	16.0 kW
Displacement	726 cm ³
Fuel Capacity	14.00 L
Air Filter	Single Stage

Electrical

Charging System	15 A
Clutch	142 N

Deck

Mower Deck	TufDeck Cutting System
Width	1320.0 mm
Adjustable Anti-Scalp Rollers	3.0
Cutting Height	38.0-124.0 mm
Blade Tip Speed	82.8 mps @ 3500 Engine rpm
Discharge Chute	Flexible Molded Polymer

Frame

Front and Rear	1.5- x 2.5-inch Steel Tubing; Welded Steel Reinforced Frame
Machine Length	1930.0 mm
Machine Weight	357 kg

Transmission

Type	HG ZT-2800 Hydrostatic Transaxles
Pump Displacement	10 cm ³
Oil Capacity	4.00 L
Forward Speed	11.0 km/h
Reverse Speed	4.8 km/h

Wheels

Drive Wheel Size	20 x 10-10
Front Caster Wheel Size	11 x 6-5
Caster Arm Attachment	Welded to Frame

Seat

Description	High Back, Spring Suspension Seat
Fore-Aft Adjustment	Seat Slide Lever